

Operating Instructions

Meade® Series 6000™ ED APO Refractor Optical Tubes

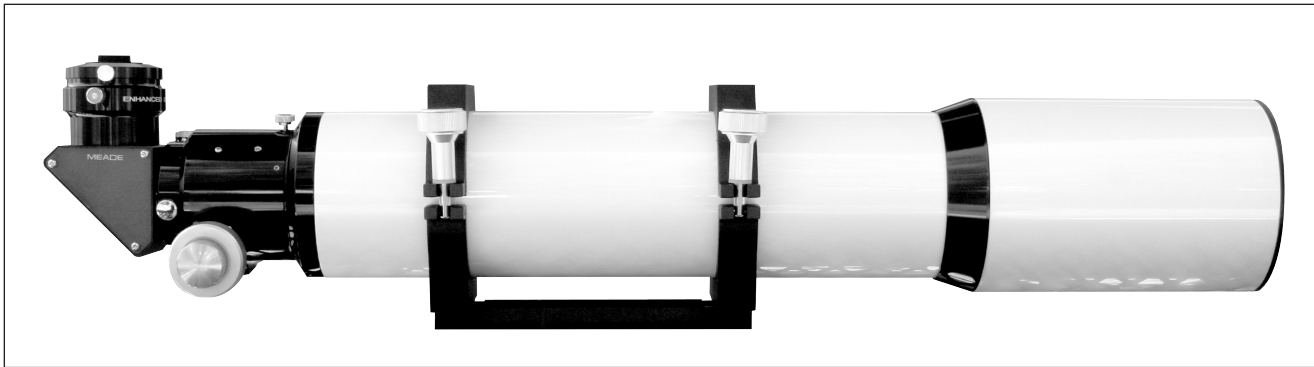


Fig. 1: 115mm ED APO OTA with 2" Series 6000 enhanced diagonal shown.

Introduction

The Meade Series 6000 ED APO are true three-element apochromatic refractors that are virtually free of chromatic aberration (color fringing), providing pinpoint star images.

A Series 6000 ED APO is the ideal companion for your larger Advanced Coma-Free, Schmidt-Cassegrain, or Newtonian scope. When piggybacked, a Series 6000 ED APO is the ideal wide-field photography scope when guided by the primary instrument and doubles as a guide scope for the primary telescope. It also makes an ideal lightweight and portable scope for flawless visual observing.

Features

- **FAST FOCAL RATIO:** At f/6 (80mm), f/7 (115mm) and f/7 (130mm), the focal ratio of these scopes is ideal for wide field astrophotography.
- **PREMIUM ED GLASS:** Meade uses premium Extremely Low Dispersion glass. This glass is created to achieve a very small change in refractive index with different wavelengths of light. This makes it the perfect choice for a fast, high performance optical design like the Meade Series 6000 ED APOs.
- **FULLY MULTI-COATED LENSES:** Meade broadband fully multicoated lenses ensure maximum light transmission.
- **TRUE ED APOCHROMATIC TRIPLET:** A true triplet optical design guarantees the textbook color correction you expect from a premium APO.
- **DEW SHIELD/SUN SHADE:** An essential accessory built-in to the design for your convenience.
- **MACHINED ALUMINUM DUAL SPEED CRAYFORD STYLE FOCUSER:** Superior focuser means smooth and repeatable focusing with no image shift. Fine and super fine focusing speeds. Accepts 1.25" & 2" accessories.
- **80mm FEATURES A LARGE 2" DIAMETER FOCUSER, THE 115MM AND 130MM FEATURE A LARGER 30MM FOCUSER:** Allows usage of a wide range of accessories.
- **PRECISION, EASY TO READ FOCUS SCALE ON FOCUSER DRAW TUBE:** Easily repeat critical focus points.
- **CRADLE RINGS AND MOUNTING BRACKET:** Allows mounting on a wide variety of Meade and non-Meade German Equatorial Mounts and most photo tripods.

Using the Focuser Assembly

Insert an eyepiece into the focuser assembly and tighten the focuser thumbscrew.

To focus the telescope, turn the fine focuser wheels in or out. If you have a 2 inch eyepiece, remove the 1.25" eyepiece holder from the focuser assembly by loosening the holder thumbscrew. Slide the 2 inch eyepiece into the holder and tighten with the eyepiece locking screw.

The focuser has a locking knob. That knob locks the focuser, thereby locking the focus position into place.

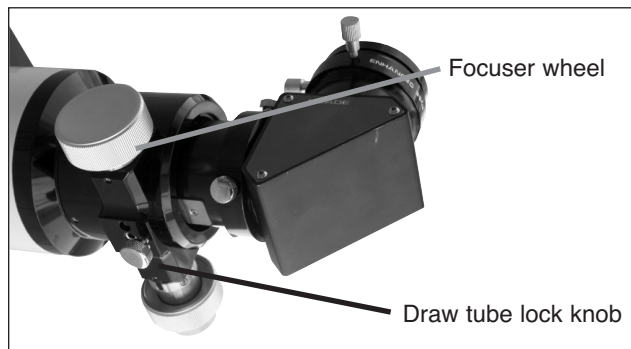


Fig. 2: The tension adjustment and lock knobs.

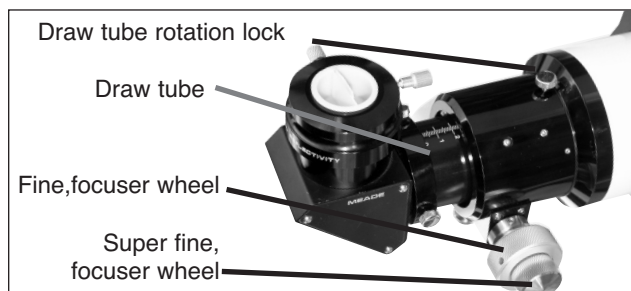


Fig. 3: Dual Speed (10:1) Crayford Style Focuser.

Specifications

Optical Tube Assembly (OTA)	80mm	115mm	130mm
• Optical Design	3-element Apochromatic Refractor	3-element Apochromatic Refractor	3-element Apochromatic Refractor
• Optical Glass Type	FPL53	FK61	FK61
• Optical Diameter	80mm (3.1")	115mm (4")	130mm (5")
• Telescope Dimensions (L x W x H)	15" x 4.9" x 4.9"	29.5" x 5.25" x 5.25"	33.3" x 6.125" x 6.125"
• Focal Length; f/ratio	480mm; f/6	805mm; f/7	910mm; f/7
• Dew Shield	Retractable	Retractable	Retractable
• Optics	Fully Multi-Coated	Fully Multi-Coated	Fully Multi-Coated
• Focuser	2" Machined Aluminum Crayford Dual Speed (10:1)	3" Machined Aluminum Crayford Dual Speed (10:1)	3" Machined Aluminum Crayford Dual Speed (10:1)
• Carry Case	Included	Included	Included
• Series 5000 Diagonal	Included	included	included
• Weight (OTA with Series 5000 Diagonal)	6.6 lbs.	12.2 lbs.	17.7 lbs.
• Part Number	0306-00-05	0407-00-05	0507-00-05
• UPC Code	7 09942 36020 2	7 09942 36021 9	7 09942 36017 2
• 8x50 Viewfinder with bracket	No	Yes	Yes

If you have a question concerning use of the Meade SERIES 6000 ED APO REFRACTOR, call the Meade Instruments Consumer Solutions Department at (800) 626-3233. Consumer Solutions hours are 8:00 AM to 5:00 PM, Pacific Time, Monday through Friday.

Meade Limited Warranty

Every Meade telescope and telescope accessory is warranted by Meade Instruments Corp ("Meade") to be free of defects in materials and workmanship for a period of ONE YEAR from the date of original purchase in the U.S.A. and Canada. Meade will repair or replace a product, or part thereof, found by Meade to be defective, provided the defective part is returned to Meade, freight-prepaid, with proof of purchase. This warranty applies to the original purchaser only and is non-transferable. Meade products purchased outside North America are not included in this warranty, but are covered under separate warranties issued by Meade international distributors.

RGA Number Required: Prior to the return of any product or part, a Return Goods Authorization (RGA) number must be obtained from Meade by writing, or calling (800) 626-3233. Each returned part or product must include a written statement detailing the nature of the claimed defect, as well as the owner's name, address, and phone number.

This warranty is not valid in cases where the product has been abused or mishandled, where unauthorized repairs have been attempted or performed, or where depreciation of the product is due to normal wear-and-tear. Meade specifically disclaims special, indirect, or consequential damages or lost profit which may result from a breach of this warranty. Any implied warranties which cannot be disclaimed are hereby limited to a term of one year from the date of original retail purchase.

This warranty gives you specific rights. You may have other rights which vary from state to state.

Meade reserves the right to change product specifications or to discontinue products without notice.



WARNING!

Never use a Meade® Telescope to look at the Sun! Looking at or near the Sun will cause instant and irreversible damage to your eye. Eye damage is often painless, so there is no warning to the observer that damage has occurred until it is too late. Do not point the telescope or its finder at or near the Sun. Do not look through the telescope or its finder as it is moving. Children should always have adult supervision while observing.



MEADE®

27 Hubble, Irvine, California 92618
(800) 626-3233 ■ www.meade.com