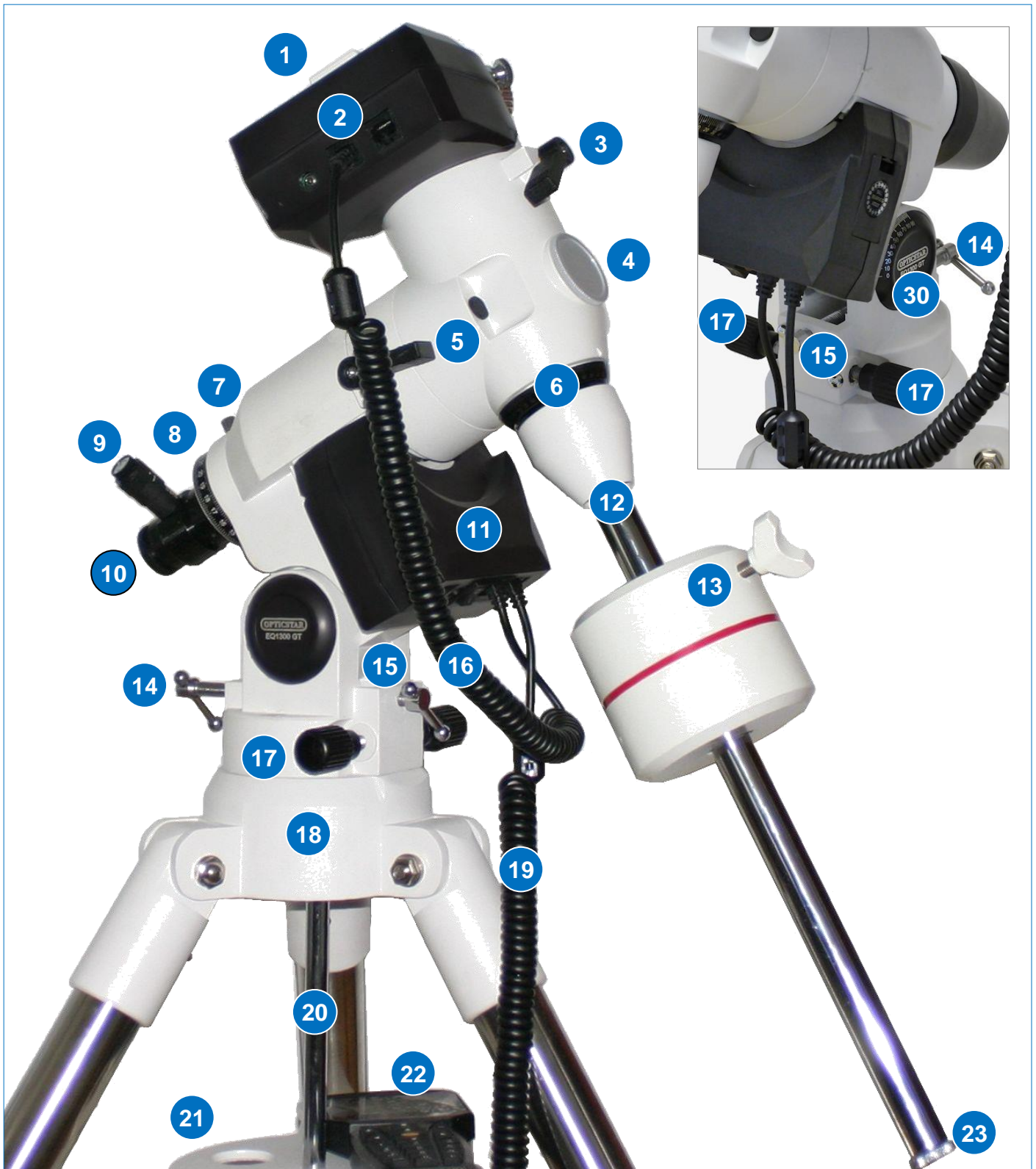
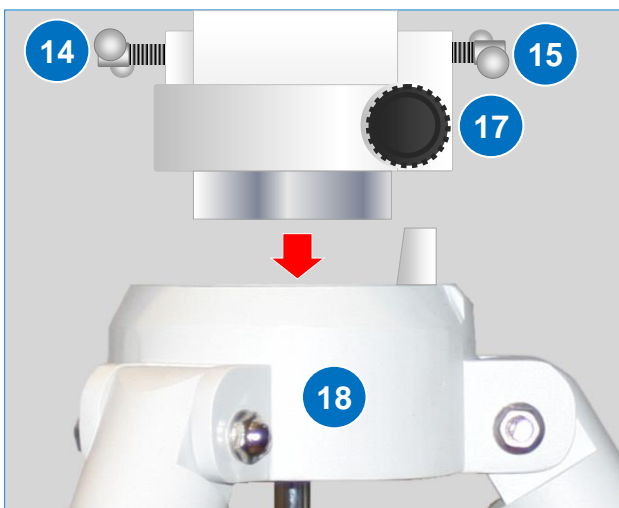
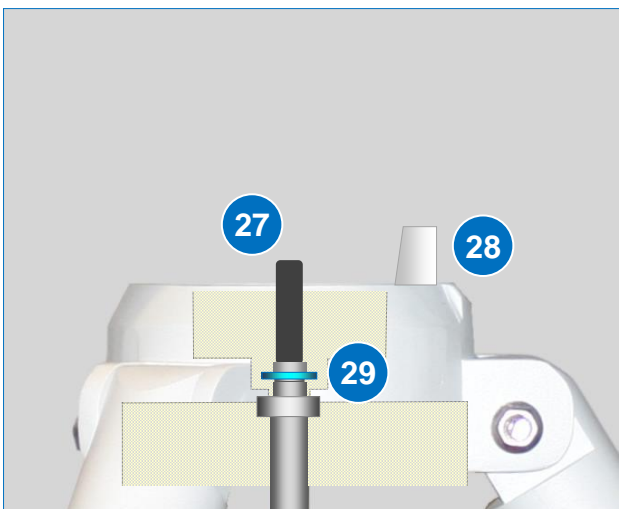
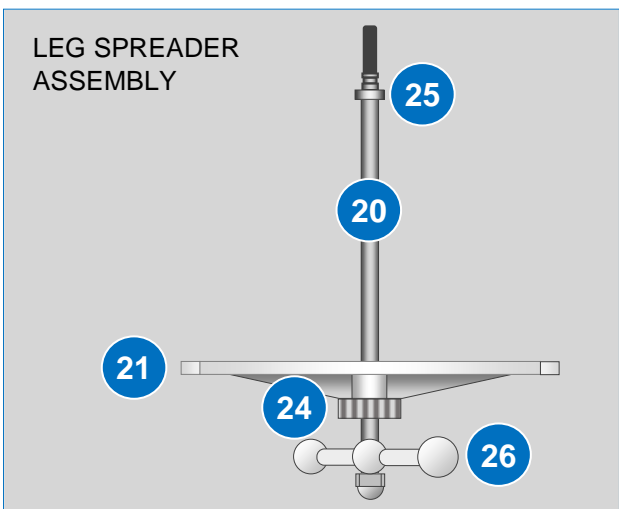
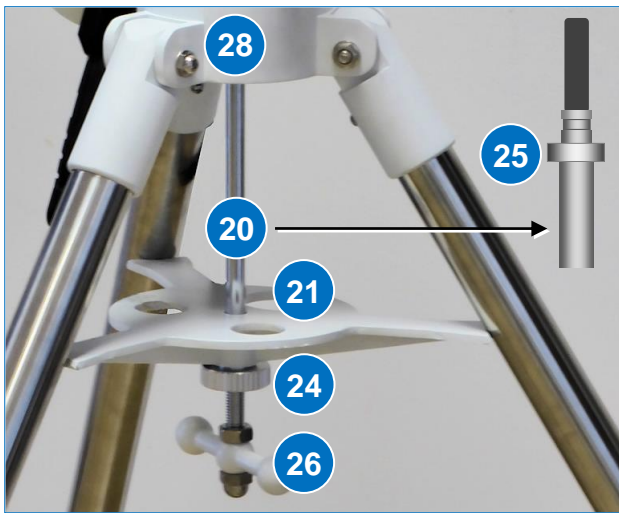


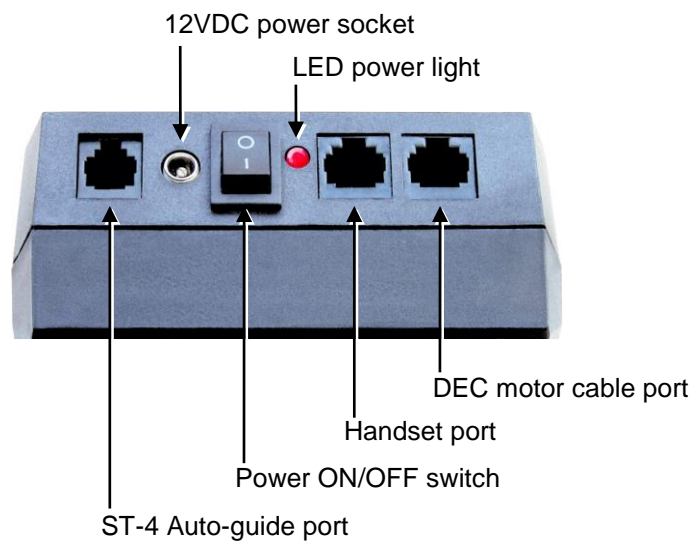
OPTICSTAR EQ1300 GT REFERENCE



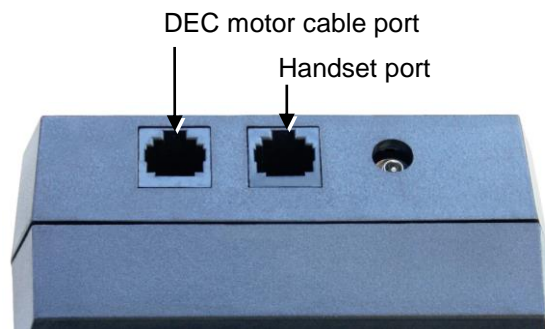
- | | | |
|-----------------------------------|---------------------------------------|------------------------------------|
| 1. Telescope mounting saddle | 11. R.A. motor housing | 21. Tripod leg spreader |
| 2. DEC motor housing | 12. Counterweight shaft & locking nut | 22. GOTO handset |
| 3. DEC locking lever | 13. Counterweight with locking knob | 23. Counterweight safety screw cup |
| 4. Polar Scope cap | 14. Rear latitude adjustment T-bolt | 24. Tension nut |
| 5. RA locking lever | 15. Front latitude adjustment T-bolt | 25. Stop washer |
| 6. DEC setting circle | 16. DEC motor cable | 26. T-handle |
| 7. RA setting circle locking knob | 17. Azimuth adjustment knobs | 27. n.a. |
| 8. RA setting circle | 18. Tripod platform | 28. Azimuth peg |
| 9. Polar scope illuminator | 19. Handset cable | 29. E-clip |
| 10. Polar scope | 20. Tripod tension bolt | 30. Latitude scale |



RA Motor Control Panel



DEC Motor Control Panel



Handset

